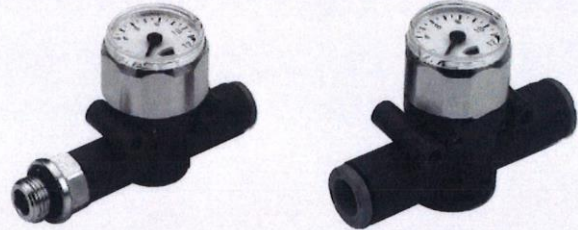


The MAN L pressure gauge belongs to the LINE ON LINE® family, which means it can be connected to all the other components in series or in parallel.

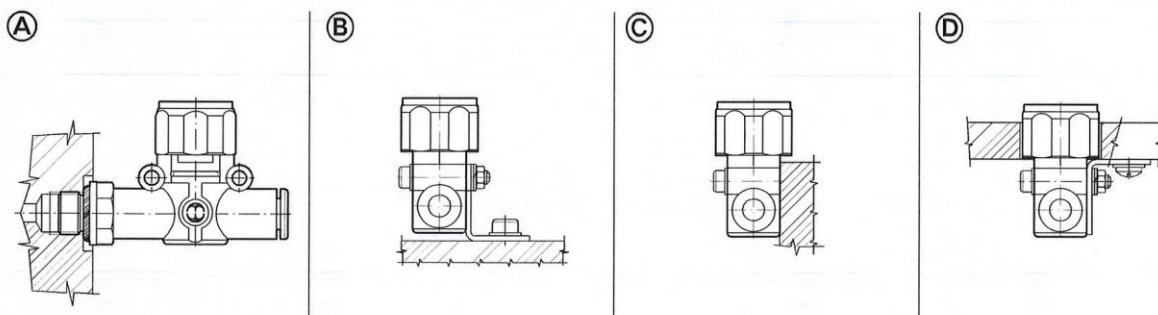
Available in the version for pipe-pipe connection with two push-in fittings, and in the version for thread-pipe connection with a brass nickel-plated male thread and a push-in fitting.

Though small in size, this pressure gauge, which is supplied in a metal casing, ensures accurate reading. It can be angled in any direction simply by rotating manually.



TECHNICAL DATA		Ø 4	Ø 6	Ø 8
Operating pressure	MPa		1.2	
	bar		12	
	psi		174	
Temperature range	°C		- 20 to + 60	
	°F		- 4 to + 140	
Precision			± 4% full scale	
Recommended pipe			Rilsan PA11 - Nylon 6 - Polyamide 12 - Polypropylene	
Fluid			Lubricated or unlubricated filtered compressed air	
Compatibility with oils			Please refer to page 6-7 of the technical documentation	

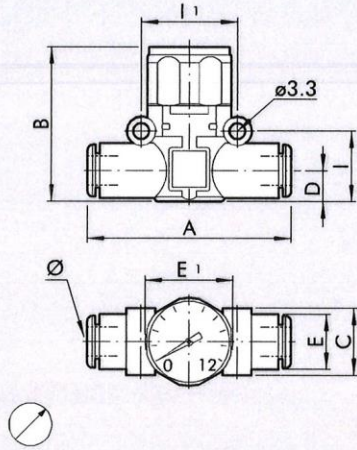
### ASSEMBLY OPTIONS



How to mount the MAN L:

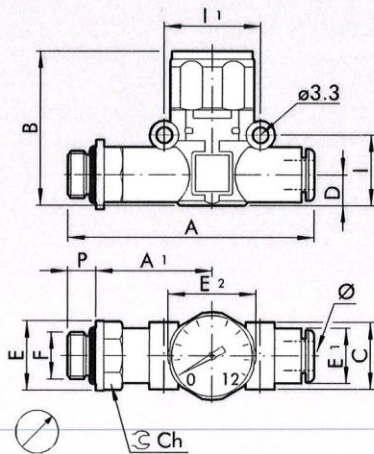
- Fig. Ⓐ With the male threaded port it is possible to mount the MAN L straight onto the female thread.
- Fig. Ⓑ Fixing to the plate with the special SQU L bracket.
- Fig. Ⓒ There are two robust rings on the plastic body for fixing the MAN L straight onto the wall.
- Fig. Ⓓ Use the SQL L bracket for panel mounting the MAN L.

MAN L PIPE-PIPE



Code	Ref.	Ø	A	B	C	D	E	E1	I	II
460-4	MAN L 4-4	4	41.8	36.1	10.7	5.6	10	23	12.8	16
460-6	MAN L 6-6	6	49.4	35	14.7	6.4	11.4	23	14.6	20
460-8	MAN L 8-8	8	57.3	41	18.7	9.1	13.8	23	18.7	24

MAN L THREAD-PIPE



Code	Ref.	F	Ø	P	A	A1	B	C	D	E	E1	E2	I	II	Ch
461.005-4	MAN L M5-4	M5	4	4	47.7	26.7	36.1	10.7	5.6	9.9	10	23	12.8	16	9
461.018-4	MAN L 1/8-4	1/8	4	6	51.5	30.6	36.1	10.7	5.6	14	10	23	12.8	16	12
461.018-6	MAN L 1/8-6	1/8	6	6	58.5	27.8	35	14.7	6.4	14	11.4	23	14.6	20	12
461.014-6	MAN L 1/4-6	1/4	6	8	61.5	28.8	35	14.7	6.4	18	11.4	23	14.6	20	14
461.018-8	MAN L 1/8-8	1/8	8	6	66.2	31.8	41	18.7	9.1	15	13.8	23	18.7	24	14
461.014-8	MAN L 1/4-8	1/4	8	8	70.6	34.2	41	18.7	9.1	18	13.8	23	18.7	24	14
461.038-8	MAN L 3/8-8	3/8	8	9	72.2	34.8	41	18.7	9.1	22	13.8	23	18.7	24	17

NOTES

**Summary Art. No.:**

Type No.	Art. No.
460-4	106753
460-6	106754
460-8	106755
461.005-4	106756
461.018-4	106757
461.018-6	106758
461.018-8	106759
461.014-6	106760
461.014-8	106761
461.038-8	106762